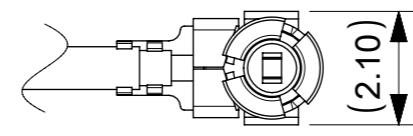
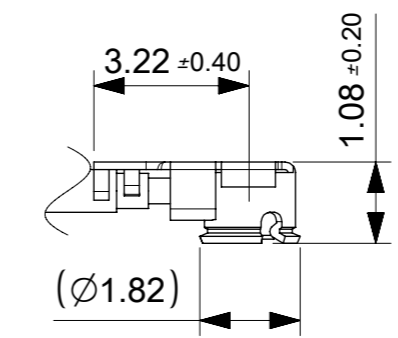
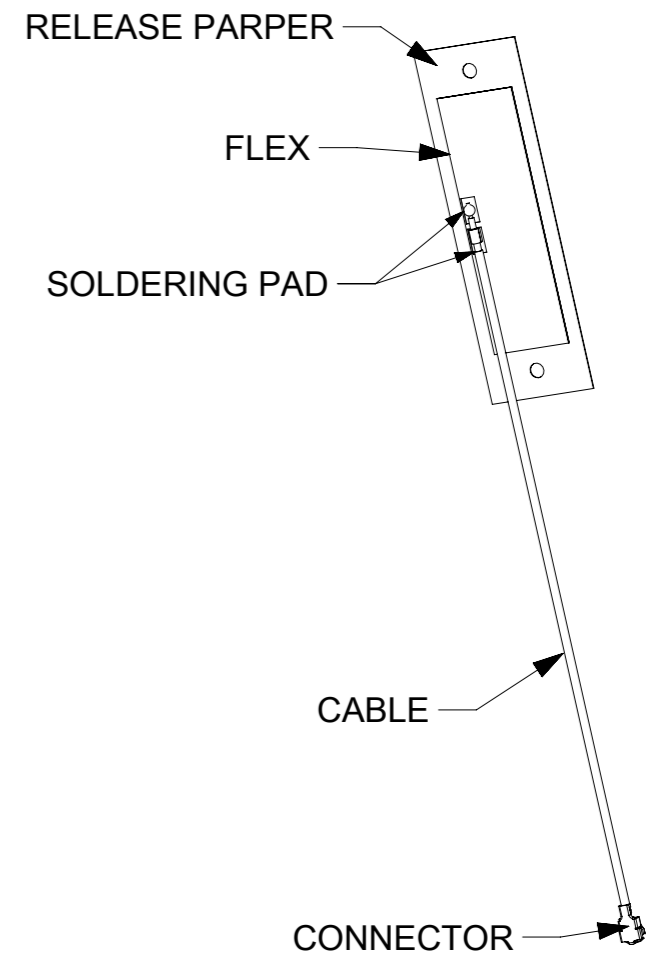
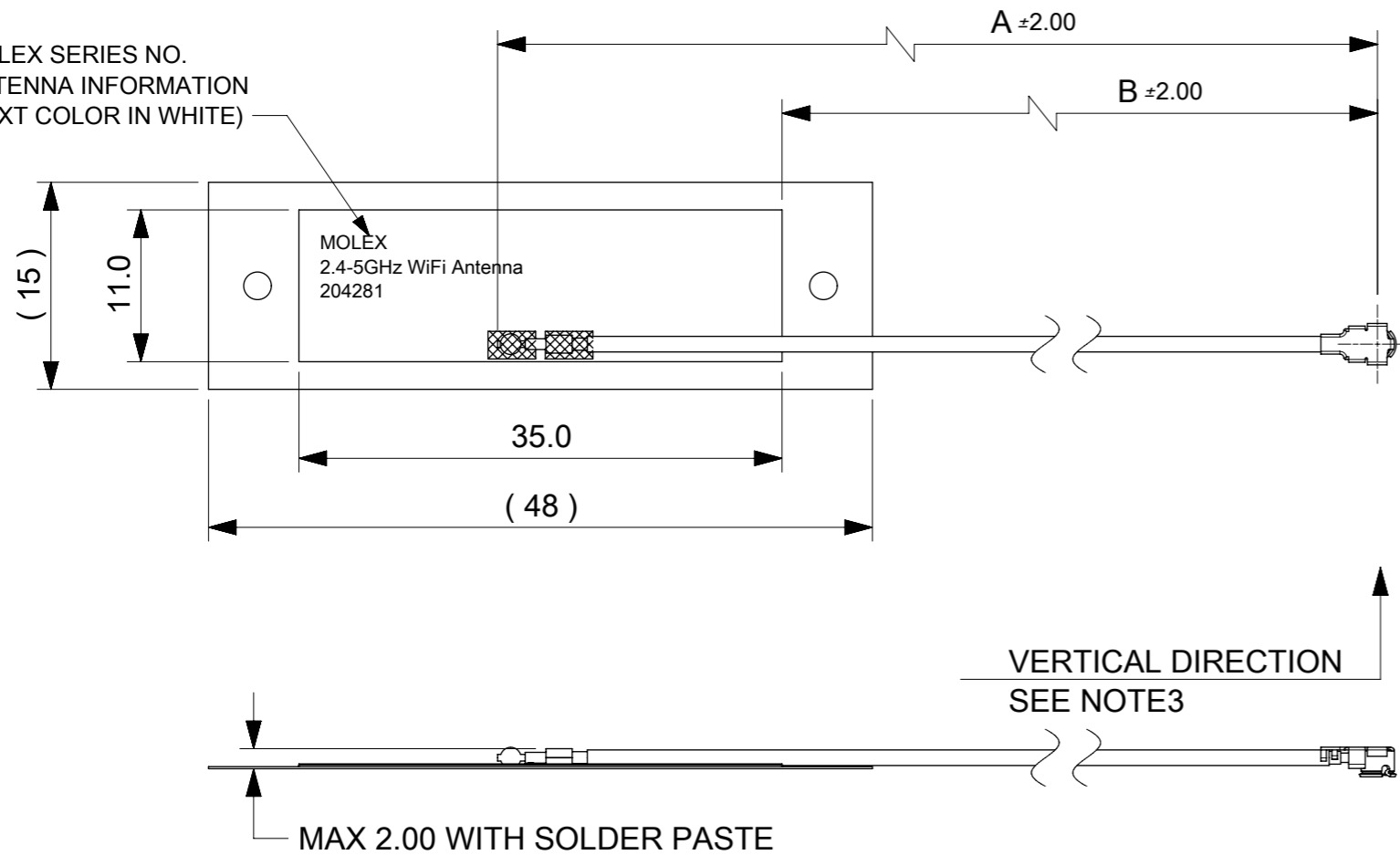
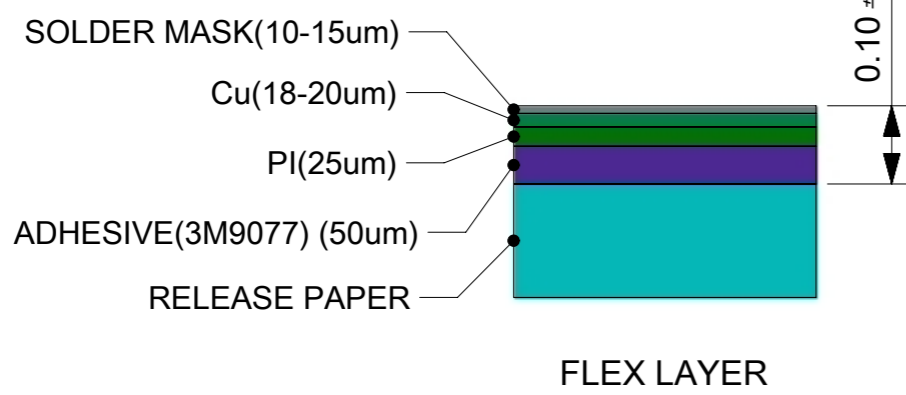


MOLEX SERIES NO.
ANTENNA INFORMATION
(TEXT COLOR IN WHITE)



U.FL CONNECTOR



FLEX LAYER

- NOTES:
- MATERIAL:
FLEX: SEE FLEX LAYER
CABLE: $\varnothing 1.13\text{mm}$
CONNECTOR: I-PEX MHF 4L PLUG P/N:20565-001R-13
 - SOLDER MASK COLOR: BLACK
 - CAN'T LIFT UP CABLE IN VERTICAL DIRECTION
 - APPLICATION SPEC REFER TO AS OF 2042810100
 - PRODUCT SPEC REFER TO PS OF 2042810100
 - PACKAGING SPEC REFER TO PK OF 2042810100

ITEM	MATERIAL NO.	DIM "A"	DIM "B"
1	2042811050	50mm	30mm
2	2042811100	100mm	80mm
3	2042811150	150mm	130mm
4	2042811200	200mm	180mm
5	2042811250	250mm	230mm
6	2042811300	300mm	280mm

FUNCTIONAL SYMBOLS	THIS DRAWING CONTAINS INFORMATION THAT IS PROPRIETARY TO MOLEX ELECTRONIC TECHNOLOGIES, LLC AND SHOULD NOT BE USED WITHOUT WRITTEN PERMISSION	CURRENT REV DESC:		molex					
	<table border="1"> <tr> <th>DIMENSION UNITS</th> <th>SCALE</th> </tr> <tr> <td>mm</td> <td>2:1</td> </tr> </table>	DIMENSION UNITS	SCALE				mm	2:1	GENERAL TOLERANCES (UNLESS SPECIFIED)
DIMENSION UNITS	SCALE								
mm	2:1								
DIVISIONAL SYMBOLS	ANGULAR TOL	±	°	PRODUCT CUSTOMER DRAWING					
	4 PLACES	±		DOCUMENT NUMBER					
	3 PLACES	±	0.2	2042811100					
	2 PLACES	±	0.25	DOC TYPE DOC PART REVISION					
INITIAL REVISION:		2017/11/02		PSD 000 B					
DRAFT WHERE APPLICABLE MUST REMAIN WITHIN DIMENSIONS		THIRD ANGLE PROJECTION	DRAWING	SERIES	MATERIAL NUMBER	CUSTOMER			
			A3-SIZE	204281	SEE TABLE	GENERAL MARKET			
						SHEET NUMBER			
						1 OF 1			